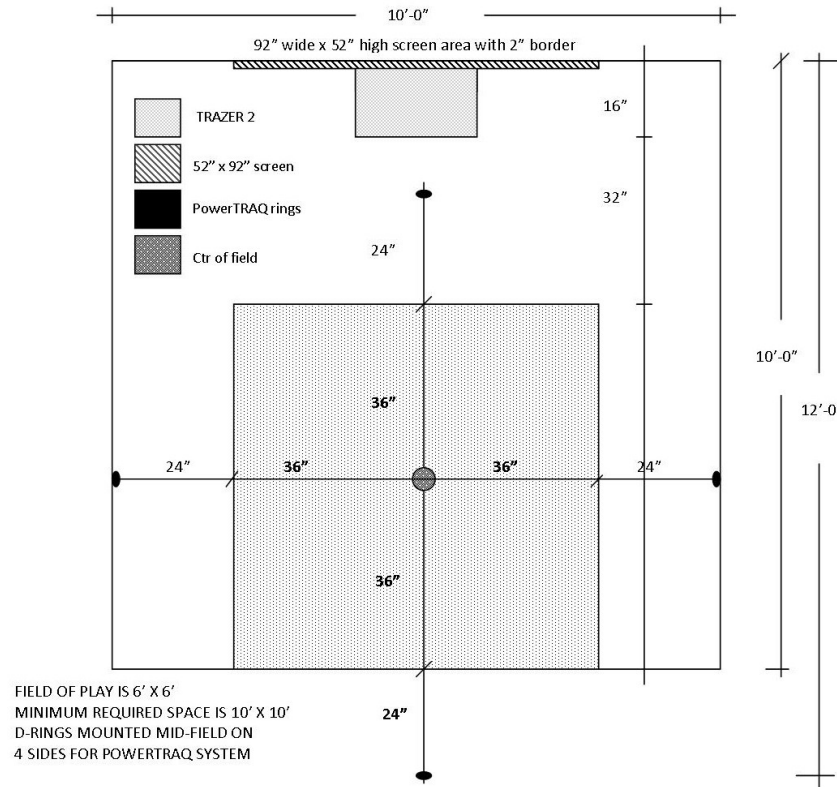


# TRAZER<sup>2</sup>

## Assembly Guide—See OPERATIONS MANUAL for complete instructions

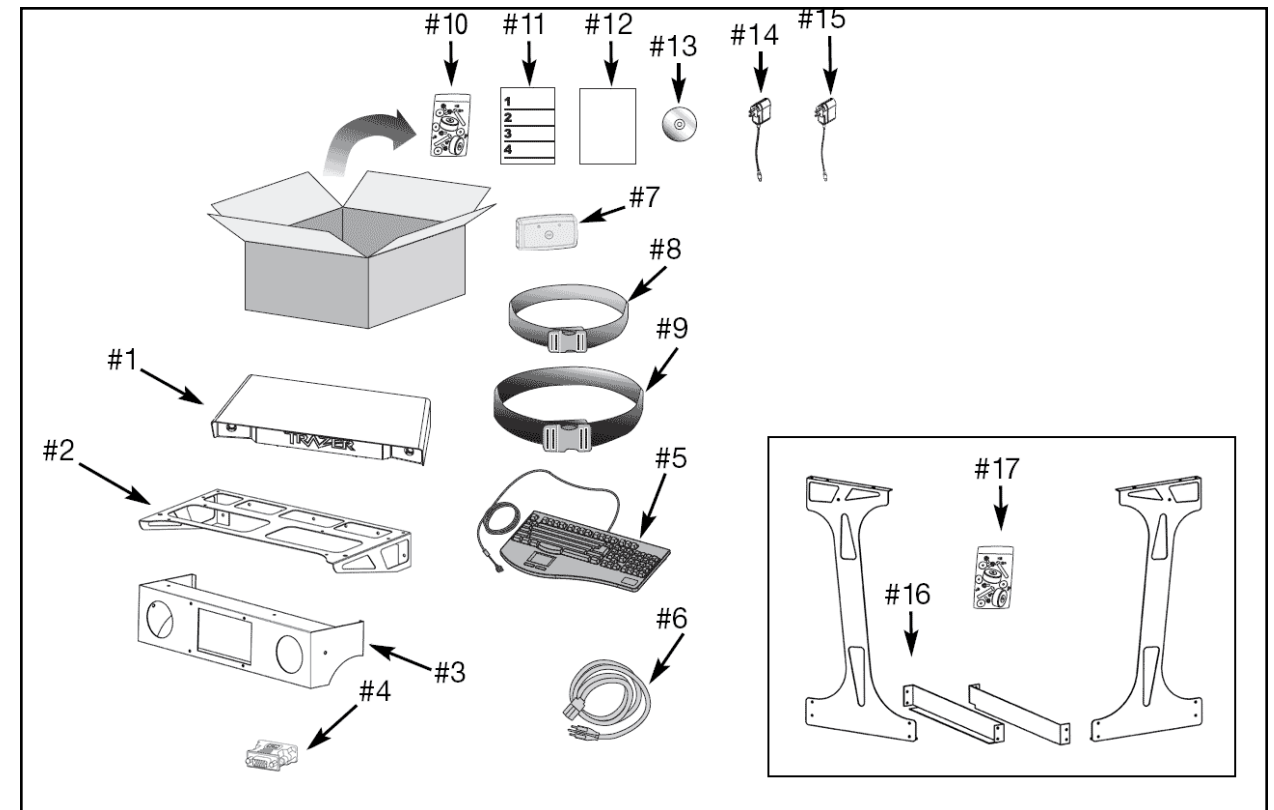
### LAYING OUT THE SPACE:

See Ops Man for multiple units and ceiling and floor requirements

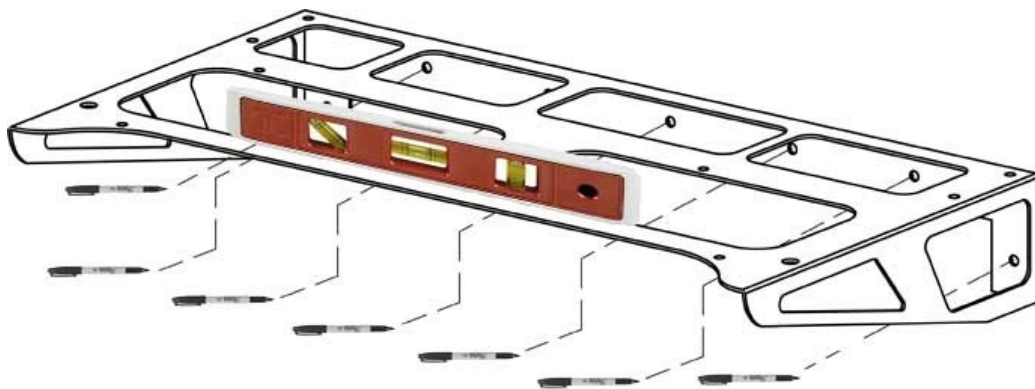


### USE CHECKLIST TO INVENTORY YOUR PARTS:

Item	Qty	✓	Description
1	1		TRAZER Tracking Unit
2	1		Shelf
3	1		Speaker and Charging Assembly
4	1		DVI to VGA adapter
5	1		USB Keyboard and Touchpad Mouse
6	1		Power Cable
7	1		TRAZER Beacon
8	1		Small Beacon Belt 32", Blue
9	1		Large Beacon Belt 48", Black
10	1		Shelf Hardware Package
11	1		Assembly Instructions
12	1		Warranty Documentation
13	1		CD, Owner's Manual
14	1		Beacon Charger 5V DC 200mA
15	1		Speaker and Charging Station Power Supply 12V DC 1000mA
16	4		TRAZER Semi-Portable Stand Pieces (Optional)
17	1		TRAZER Semi-Portable Stand Hardware (Optional)



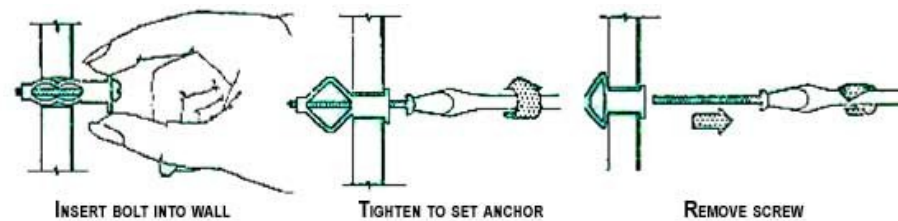
### STEPS 1—4: Wall Mount Installation



**STEP 1:** Position top of shelf 33" from floor and level it.

Mark all (7) holes clearly on wall. Set shelf aside.

**STEP 2:** Use a 3/8" bit to drill through drywall or until you hit a stud. If you hit a stud, you will use std drywall screws (not included). For hollow wall, use anchors provided.



Once holes are drilled, tap the anchors into the wall until the gripper prongs are embedded.

Maintain pressure with the screwdriver until a definite resistance is felt, indicating the hollow wall anchor is set. Once in place, back out the screws from the housing and set aside.

Position the holes on the shelf over the wall anchors and re-install the screws. Tighten until the shelf is tightly secured.



**STEP 3: Wiring the TRAZER:** Before securing the TRAZER to the shelf, feed the VGA/DVI cable, the network cable and the power cable up through the holes in the back of the shelf and plug into TRAZER. Plug in the keyboard as well.

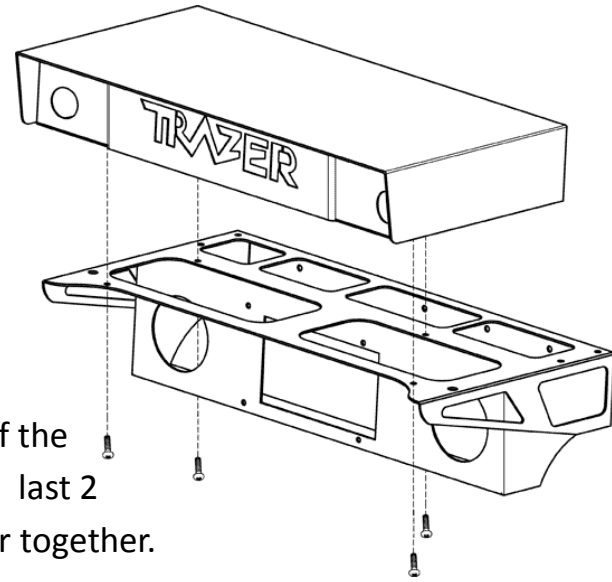
# TRAZER<sup>2</sup>

## Assembly Guide—Page 2—See OPERATIONS MANUAL for complete instructions

### STEP 4: Securing the TRAZER:

Set the TRAZER processor on top of the shelf, aligning the bolt holes in the bottom of it w/ the holes in the shelf. TRAZER should hang slightly over the front edge of the shelf. Screw in the front (2) screws.

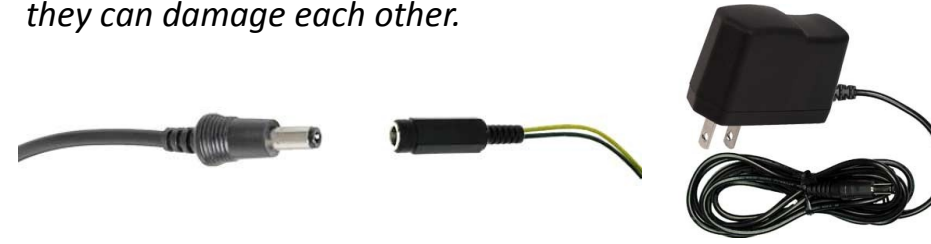
Hold speaker and charging assy up beneath the shelf. Align the 2 holes in top of assy w/ the 2 rear holes of the TRAZER and 2 holes on the shelf. Tighten last 2 screws to secure TRAZER, shelf & speaker together.



### STEP 5: Wiring the TRAZER

Connect the standard 120V wall adapter labeled for the speaker assembly to power. Connect the cable to the black & yellow corded receptacle coming off the back of the charging assembly. Plug the speaker cable into the green port on the back of the TRAZER .

**Warning:** Do not confuse the charging assembly adapter for the beacon with that for the speakers as they can damage each other.



### OPTIONAL: ASSEMBLING THE SEMI-PORTABLE STAND

#### Steps 1—3:

**NOTE:** The TRAZER Semi-Portable Stand is designed to hold only the weight of the TRAZER performance system and the integrated speaker and charger unit. DO NOT use the TRAZER Semi-Portable Stand to support any other objects as it may collapse and could cause bodily harm.



#### Hardware Needed: (included)

- Four (4) 10-32 x 3/8 Machine Thread Cutting Screw
- Fourteen (14) Steel 1/4-20 x 1/2 Machine Screw
- Twelve (12) Steel 1/4 Flat Washer

#### Tools Needed: (NOT included)

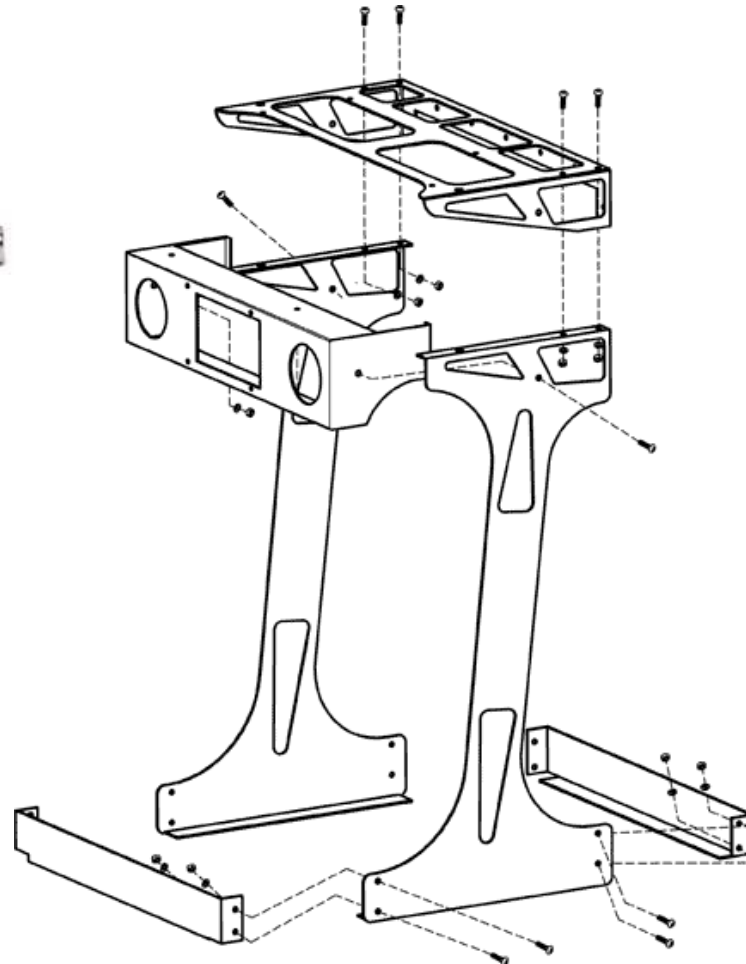
- Socket Set
- Phillips #2 Screwdriver



**STEP 1:** Connect the (2) I-beams together with the (2) base plates and secure each base plate with (4) bolts, (4) washers, & (4) nuts.

Secure the shelf to the standing base with repeat hardware.

While holding speaker and charging assembly in place, secure to stand using (2) bolts & (2) nuts. Do not use washers here as the bolts will not tighten down properly.



**STEP 2:** Assemble (2) bracing straps to back of stand by placing them back to back and securing them loosely to one another with (1) bolt, washer and nut in the center hole.

Spread the straps to large “X” and hold to back of stand. Use (4) ea. bolts, washers, nuts to secure straps to stand.

When all have been hand-tightened, tighten w/ socket set and screwdriver.

If you can put your hand on top of the stand and it is stable, you are ready to go to STEP 3. If it is not stable, re-tighten.

**STEP 3:** Align the TRAZER unit with the front (4) holes in the shelf, slightly overhanging the shelf. Secure with (4) machine screws; (2) attach through the front of the shelf into the bottom of the TRAZER; (2) through the top of the speaker assembly into the bottom of the TRAZER unit.

